

## PROCEDURE POLICY #20

### ELECTRICAL/ELEVATOR SECTION

#### ITEM:

CITY OF WICHITA ELECTRICAL CODE REQUIREMENTS REGARDING A/C DISCONNECTS.

#### BASIS:

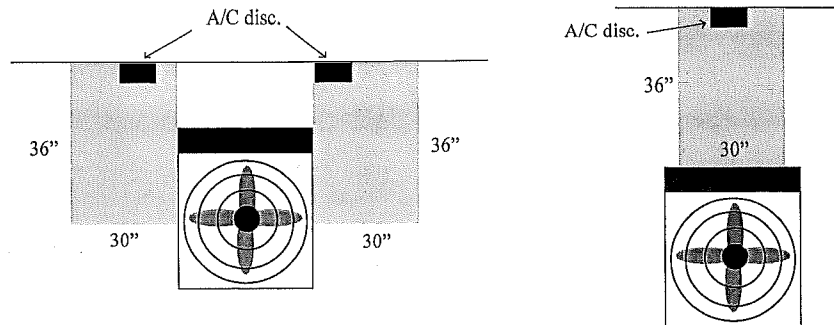
To ensure that the electrical wiring meets the applicable City Ordinances and that the wiring has been installed in a safe manner.

#### ENFORCING AUTHORITY:

The Office of Central Inspection - Electrical/Elevator Section.

#### PROCEDURE:

The mounting of A/C disconnects when a **NEW** circuit is installed. The disconnect shall have clearances as shown by the shaded area.



#### **NEW Requirements on CHANGE OUTS Effective September 1, 2006**

The location of A/C disconnects when they are **CHANGING OUT** an a/c unit and using an existing disconnect. The existing disconnect would need the clearances as shown in the shaded area. If the disconnect is between the a/c unit and the building the bottom of the disconnect **MUST** be higher than the top of the a/c unit and have the clearances shown in the shaded area.

